



Construction

Self-priming swimming pool pumps with built-in strainer and motor insulated from pumped water. The pump is made with high quality plastic materials, corrosion and sand erosion resistant. With stainless steel diffuser.

Applications

- For water circulation in swimming pool filtration systems.
- For clean or slightly dirty water with solids in suspension.

Operating conditions

Water temperature up to 60 °C (up to 35 °C for **MPCM**, in accordance with EN 60335-2-41). Ambient temperature up to 40 °C. Maximum permissible pressure in the pump casing 2,5 bar. Continuous duty.

Motor

2-pole induction motor, 50 Hz (n = 2800 1/min).

MPC: three-phase 230/400 V ± 10%.

MPCM: single-phase 230 V ± 10%, with thermal protector. Capacitor inside the terminal box.

Insulation class F.

Protection IP X4.

Constructed in accordance with EN 60 335-2-41.

Patents: EP 0 460 597
US 5 226 790

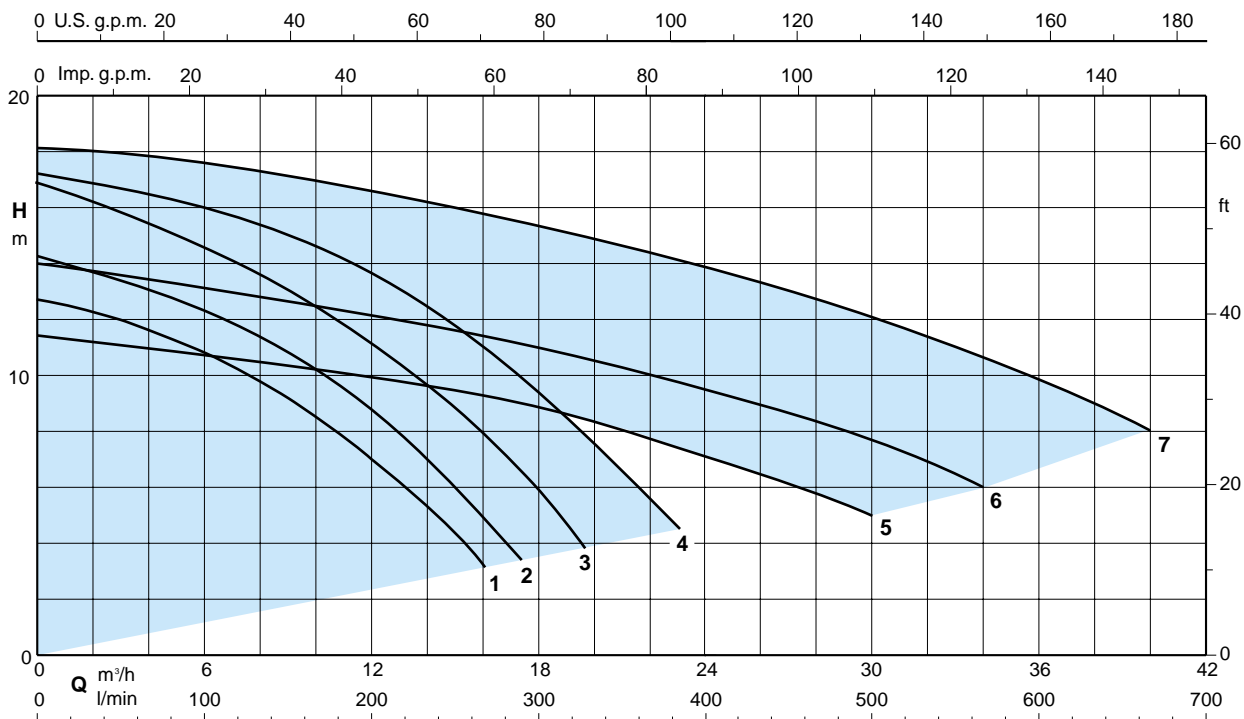
Certification marks for **MPCM**, up to 1,5 kW:



Materiali

Component	Material
Pump casing	Glass reinforced
Diffuser cover	thermoplastic
Impeller	PPO-GF30, NORYL
Strainer cover	Transparent polycarbonate, LEXAN
Strainer basket	Polypropylene
Diffuser funnel and wear-ring	Cr-Ni-Mo steel AISI 316
Mechanical seal	Ceramic alumina, Carbon, FPM (Viton)

Coverage chart $n \approx 2800$ rpm



Performance $n \approx 2800$ rpm

	3~ 230 V 400 V		1~ 230 V P ₁		P ₂		Q m ³ /h l/min	3	6	9	12	15	18	21	
	A	A	A	kW	kW	HP									
MPC 1E	2,8	1,6	MPCM 1E	3,3	0,73	0,37	0,5	12	10,5	9	7	4,5			
MPC 2E	3	1,7	MPCM 2E	4,1	0,9	0,55	0,75	13,5	12,5	11	9	6			
MPC 3E	3,7	2,2	MPCM 3E	5,1	1,2	0,75	1	16	14,5	13	11	9	6		
MPC 4E	5	2,9	MPCM 4E	7,4	1,6	1,1	1,5	16,5	16	15	13,5	11,5	9,5	6,5	

	3~ 230 V 400 V		1~ 230 V P ₁		P ₂		Q m ³ /h l/min	3	9	15	18	21	24	27	30	34	40
	A	A	A	kW	kW	HP											
MPC 5	5	2,9	MPCM 5	7,4	1,6	1,1	1,5	11	10,5	9,5	9	8	7	6	5		
MPC 6	6,4	3,7	MPCM 6	9,2	2	1,5	2	13,5	12,5	11,5	11	10,5	9,5	8,5	7,5	6	
MPC 7	9,15	5,3	MPCM 7	14	3	2,2	3	18	17	16	15,5	14,5	14	13	12	10,5	8

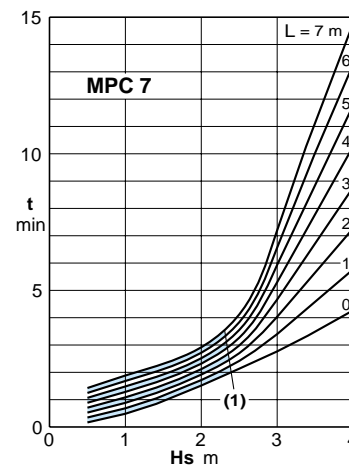
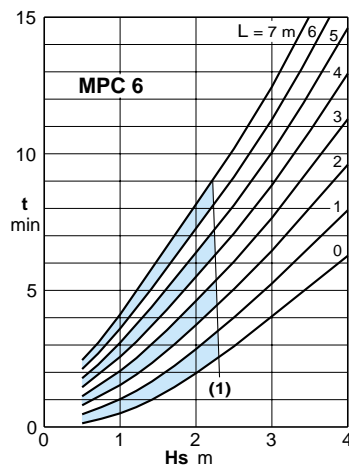
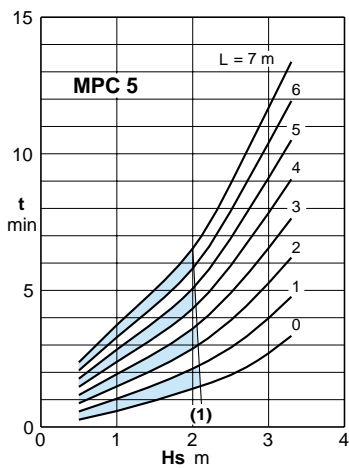
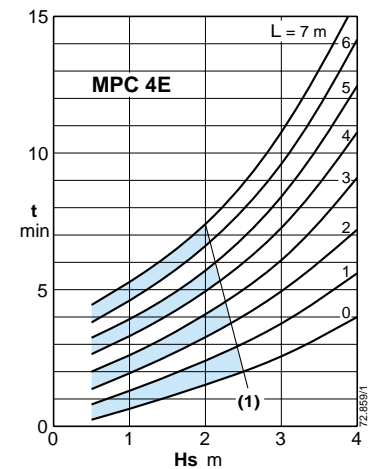
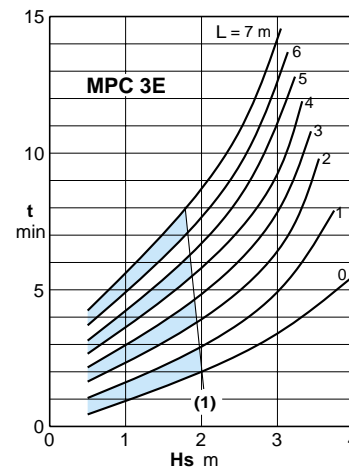
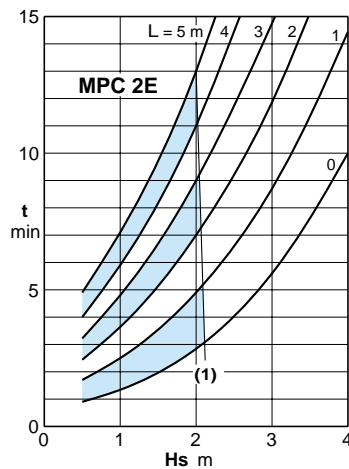
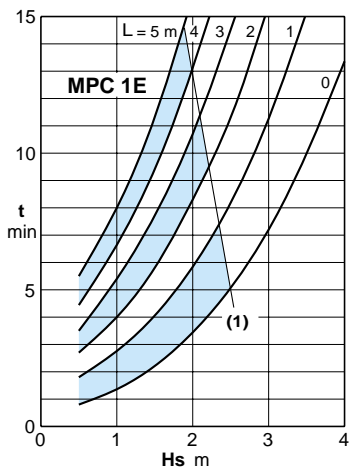
P₁ Max. power input.

P₂ Rated motor power output.

H Total head in m.

Tolerances according to ISO 9906, annex A.

Self-Priming Capability with the pump located above the water level

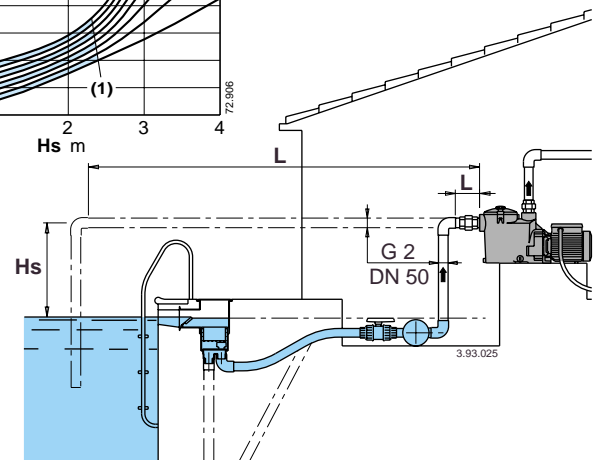


(1) Application limit for automatic self-priming at each start-up, without check valve.

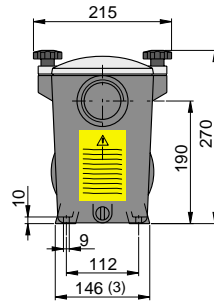
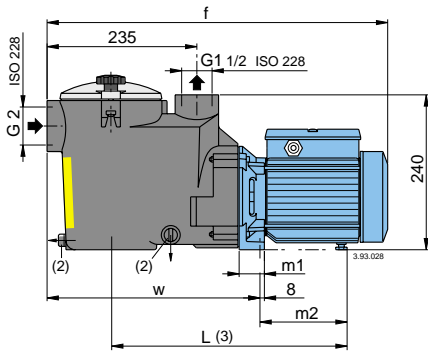
L (m) Horizontal length of suction pipe above the water level.

H_s (m) Suction lift.

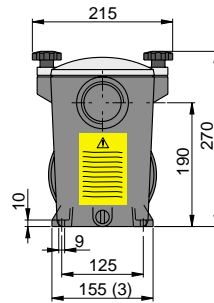
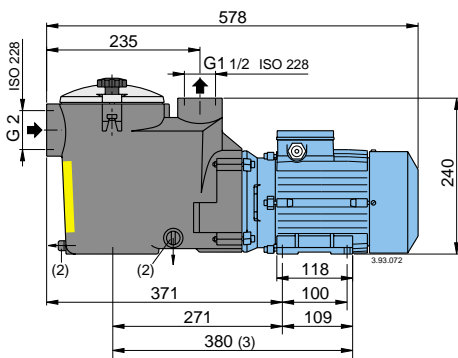
t (min) Self-priming time.



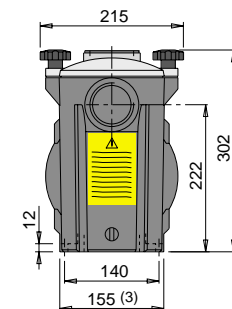
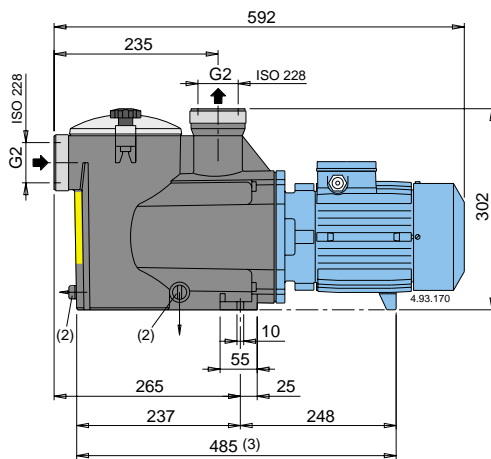
Dimensions and weights



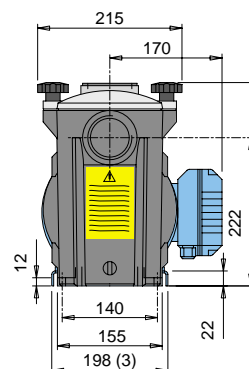
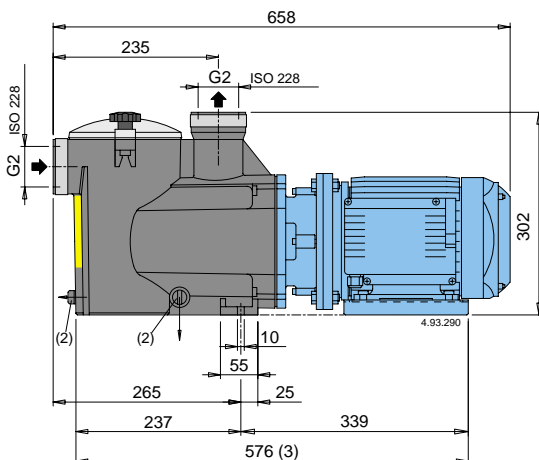
TYPE	mm					kg	
	f	L	m1	m2	w	MPC	MPCM
MPC 1E - MPCM 1E	498	348	34	122	326	8,9	9
MPC 2E - MPCM 2E	530	367	39	136	331	10,2	11,3
MPC 3E - MPCM 3E	530	367	39	136	331	11,2	12,2



MPCM 4E 17,5 kg
MPC 4E 16,0 kg



MPCM 5 18,9 kg
MPC 5 17,4 kg
MPCM 6 20,7 kg
MPC 6 19,6 kg
MPC 7 20,7 kg



MPCM 7 36,4 kg

(1) Net weight (2) Draining (3) Minimum base

Features

